

CO₂ DISCHARGE NOZZLE

Nozzle is made of brass and available in 1/2", 3/4" and 1" sizes. Orifice design to particular requirement with computer aided calculation to assure the effectiveness of extinguishing agent and reliable system design. The nozzles can be located around the perimeter or in the center of the protected space. The nozzles are available for both 180° and 360° discharge pattern.



GAS WEIGHT MONITORING SYSTEM



NAFFCO Continuous Gas Weight Monitoring System is used in gas based fixed Extinguishing Systems to monitor the weight of extinguishing agent in the cylinder to meet the NFPA Standards.

Once in 6 months, Loss in Weight of cylinder must be checked and when it is superior to 10%, refilling must be done, in accordance with NFPA-12. One gas weighing device is required for each cylinder. This cylinder will be fixed through gas weighing device in hanging conditions.

If the weight of gas drop to 5% or 10% (depends on type of gas system), the low weight is indicated by means of LED indication. After reception of low weight indication from cylinder bank, the Gas Weight Monitoring Control panel gives audio and visual indication.

For remote indication or other relevant signaling, 2 set of potential free NO and NC contacts are available.

NAFFCO CONTINUOUS GAS WEIGHING DEVICE

MODEL: SD-GAS-W1000

NAFFCO gas weighing device is used in gas based fixed extinguishing systems to monitor the weight of extinguishing agent in the cylinder to meet the NFPA Standards

- LED indication for low weight of agent
- Cylinder ring to be standard thread of cylinder neck
- Non-standard threads, suitable ring will be provided upon request
- LED indication for low weight of agent
- Cylinder ring to be standard thread of cylinder neck
- Non-standard threads, suitable ring will be provided upon request

- Standard length of hanger rod is used with ring for hanging the cylinder
- Low weight indication can be calibrated at the site, if required
- Device is powered directly by two wires from the Gas Weight Monitoring Control Panel
- Plug in type simple connection form on device to another
- Each cylinder is required on device
- 24VDC signal supply is derived form weighing device. No current consumption by gas weight monitor during normal conditions. While low weight indication is ON, the maximum current consumption will be 10mA



NAFFCO GAS WEIGHT MONITORING CONTROL PANEL

MODEL: SD-GAS-CP

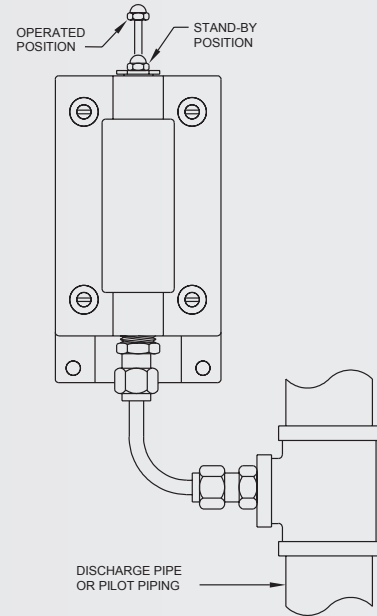
Naffco Gas Weighing Control Panel supervise and indicate the status of Continuous Gas Weighing Device, which are holding the gas cylinders used in gas based fire suppression / extinguishing system



- Input supply voltage in 24VDC/230VAC/110VAC/50Hz
- Operating Voltage 24VDC
- Lamp test, acknowledge and rest control switches
- System ON Green LED, Low Weight Orange LED, Open and Short Yellow LED
- Unbolt Fault Buzzer of continuous lane
- Two wire, wiring is provided only common low weight indication per zone(individual law weight indication is available on continuous gas weighing device)
- This is Single Zone Control Panel

- Unbolt low weight indication buzzer (intermediate tone)
- Supervision facility for open and short of connecting cable of continuous gas weighing device
- Maximum continuous gas weighing device per unit is restricted to 20nos
- Provision of one set of low weight fault repeating potential free NO and NC contact of rating 6amp at 24VDC
- Wall mounting type suitable for indoor use

PRESSURE SWITCH



Application

By providing electrical tie-in, The C70-202 Pressure Switch allows to indicate on the control panel that the CO₂ system has been activated. The pressure switch can also open or close electrical circuits for various functions like to indicate equipment is shutdown or alarm is activated.

Note: The pressure switch will not transfer during the pre-discharge period. Therefore, the switch is not suitable for an evacuation alarm signal.

After operation, the pressure switch must be reset prior to resetting the control panel.

